

**Modular Cooking Range Line
 thermaline 80 - 1200 mm Ref-freezer
 Base with 2 drawers, 1 Side, H=550
 (R290)**

ITEM # _____

MODEL # _____

NAME # _____

SIS # _____

AIA # _____



588484 (MA6IDAKOBO) Ref-Freezer Base with 2 drawers, one-side operated - R290

Short Form Specification

Item No. _____

Refrigerated base with 2 drawers, able to operate both as refrigerator or freezer, with temperature range from -22°C to +8°C. Constructed according to 1.4301 (AISI 304) with anti-tilt runners accepting GN 2/1 containers. CFC and HCFC free, highly ecological refrigerant type: R290 (ecological gas in foam: cyclopentane). Hydrocarbon refrigerant gas R290 for the lowest environmental impact (GWP=3), to reduce green house and ozone depletion effects. Flat surface construction, easily cleanable. Large digital white-digit soft touch display. Handles ergonomically designed with embedded hygienic silicon "soft" grip enable easier handling and cleaning. Connectivity ready. IPX3 water resistance certification. Configuration: One-side operated freestanding base.

Main Features

- Two Drawer Refrigerated/Freezer Base with built-in compressor unit.
- Unit able to operate both as refrigerator or as freezer, with temperature range from -22°C to +8°C.
- Suitable for use in ambient temperatures of up to 40 °C.
- Designed for modular installation into the cooking block.
- All major components may be easily accessed from the front.
- Each drawer to accommodate one GN 2/1 container max 150 mm high.
- Magnetic snap-in drawer gaskets are removable for cleaning.
- Forced air circulation for rapid cooling and an even temperature distribution.
- Unit may be installed on castors.
- Connectivity ready for real time access to connected appliances from remote and data monitoring (requires optional accessory).
- Unit constructed according to DIN 18860_2 with 70 mm recessed plinth.
- Perforated top surface and bottom plate for a better air circulation.
- Handles are ergonomically designed with silicon "soft" grip for easy handling and cleaning.

Construction

- Large digital white-digit display with soft touch buttons.
- Constructed in Stainless steel with Scotch Brite finish to meet the highest hygiene standards.
- Built-in compressor to suit operating conditions.
- IPX3 protected.

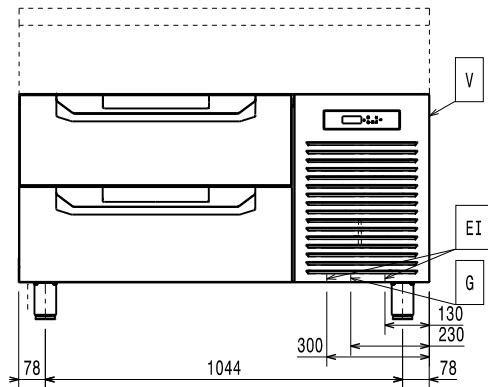
Sustainability

- CFC and HCFC free, highly ecological refrigerant type: R290 (ecological gas in foam: cyclopentane). Hydrocarbon refrigerant gas R290 for the lowest environmental impact (GWP=3), to reduce green house and ozone depletion effects.

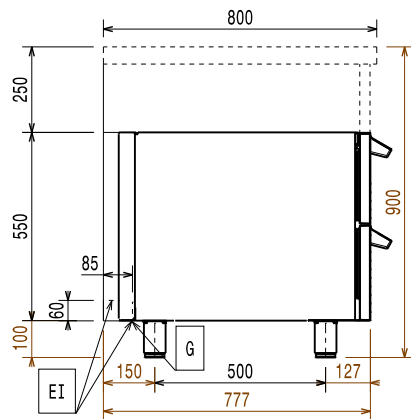
Optional Accessories

APPROVAL: _____

Front

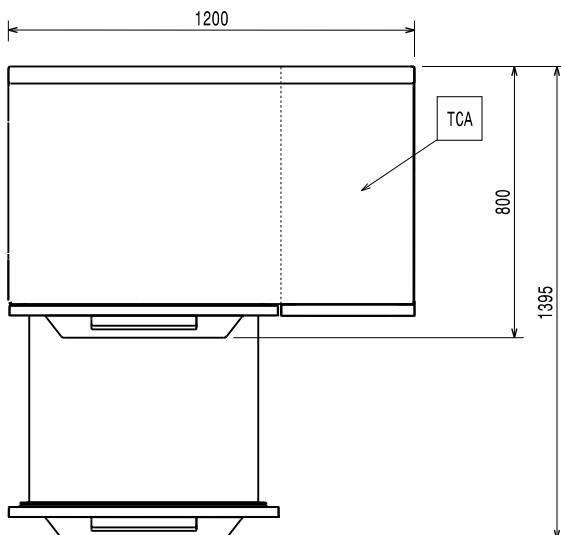


Side



EI = Electrical inlet (power)

Top



Electric

Supply voltage:

588484 (MA6IDAKOBO) 220-240 V/1N ph/50 Hz

Electrical power max.: 0.55 kW

Total Watts: 0.55 kW

Key Information:

Gross capacity:

External dimensions, Width: 1200 mm

External dimensions, Depth: 800 mm

External dimensions, Height: 550 mm

Net weight: 145 kg

N° of drawers: 2

Refrigeration Data

Compressor power:

Operating temperature min.: 8 °C

Operating temperature max.: -22 °C

Defrost type: Electric

Sustainability

Current consumption: 4.2 Amps

Refrigerant type: R290

Refrigeration power: 0 W

Refrigerant weight: 120 g